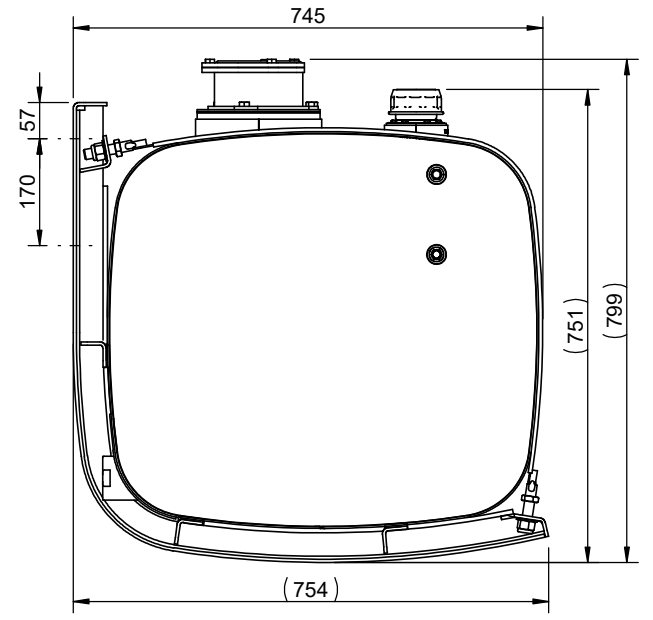
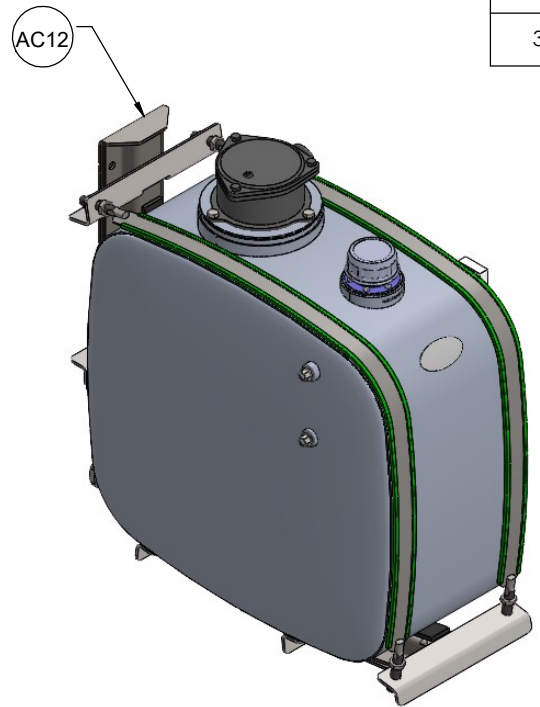
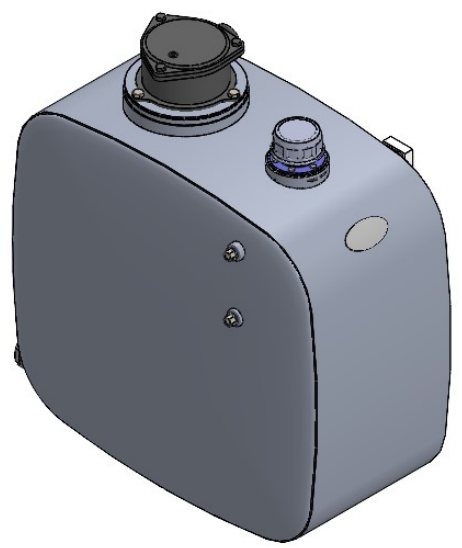


NCR		
No	Date	NCR-NUMBER
1	25-5-2021	CNCR-2105005
2	1-6-2021	CNCR-2105006

REVISIONS			
PRO REV	DATE	ALTERATION	AUTH
0	24-01-2019	AS PER CLIENT'S DRAWING	V1422
1	26-02-2020	ECR RTQ-0019: Added part 11,12, AC11.	V1422
	23-09-2020	As per DUR 20-0097 [Update torque and quantity]	V2885
		As per DUR 20-0106 [Update leak test pressure]	
	4-1-2021	As per DUR 20-0152 [Add production stages for Part 1]	
6-7-2021	As per DUR 21-0087 [Update the leak check process]		
2	08-04-2022	As per ECR RTN-0007: Added Rubber O Ring	V2885
		As per DUR 21-0182: Added part 13L/R "Tank Bracket-Aluminum"	
3	06-02-2023	As per ECR RTN-0008: Added 2 x Part#14: Reinforcing plate on the outside of the socket"	



MO:	Batch: 1 of 1	Product Description: Reid&Twiname Square Oval Hidraulic Oil Tank - 125L	3	06-02-2023	As per ECR RTN-0008: Added 2 x Part#14: Reinforcing plate on the outside of the socket"	V2885						
Quantity Batch:		Product Code: 001-002-0500NZR2										
Contract #:		Dwg Description: REVISION TABLE										
Contract Ref:		Client: RED FLAG/REID & TWINAME	Client Code: HTAS125									
Approved By:	Date:	Client Dwg Ref: HTAS125	Client Rev: TBA									
Signature By:	Date:	Product Finish: Polished										
			PRO REV.	DATE	ALTERATION	AUTH.						
			Selection	>0-6	>6-30	>30-120	>120-400	>400-1000	>1000-2000	>2000-4000	>4000-8000	Angle Tolerance
				±0.05	±0.05	±0.1	±0.15	±0.2	±0.3	±0.5	±0.8	±1.5°
			➔	±0.2	±0.5	±0.5	±1	±1	±1	±1.5	±3	
				±0.15	±0.2	±0.5	±0.8	±1.2	±2	±3	±4	
			NOTE: All dimensions in mm (unless noted otherwise)			W = (Kg)	Sheet 1 of 3	3rd Angle Projection				

List of Part

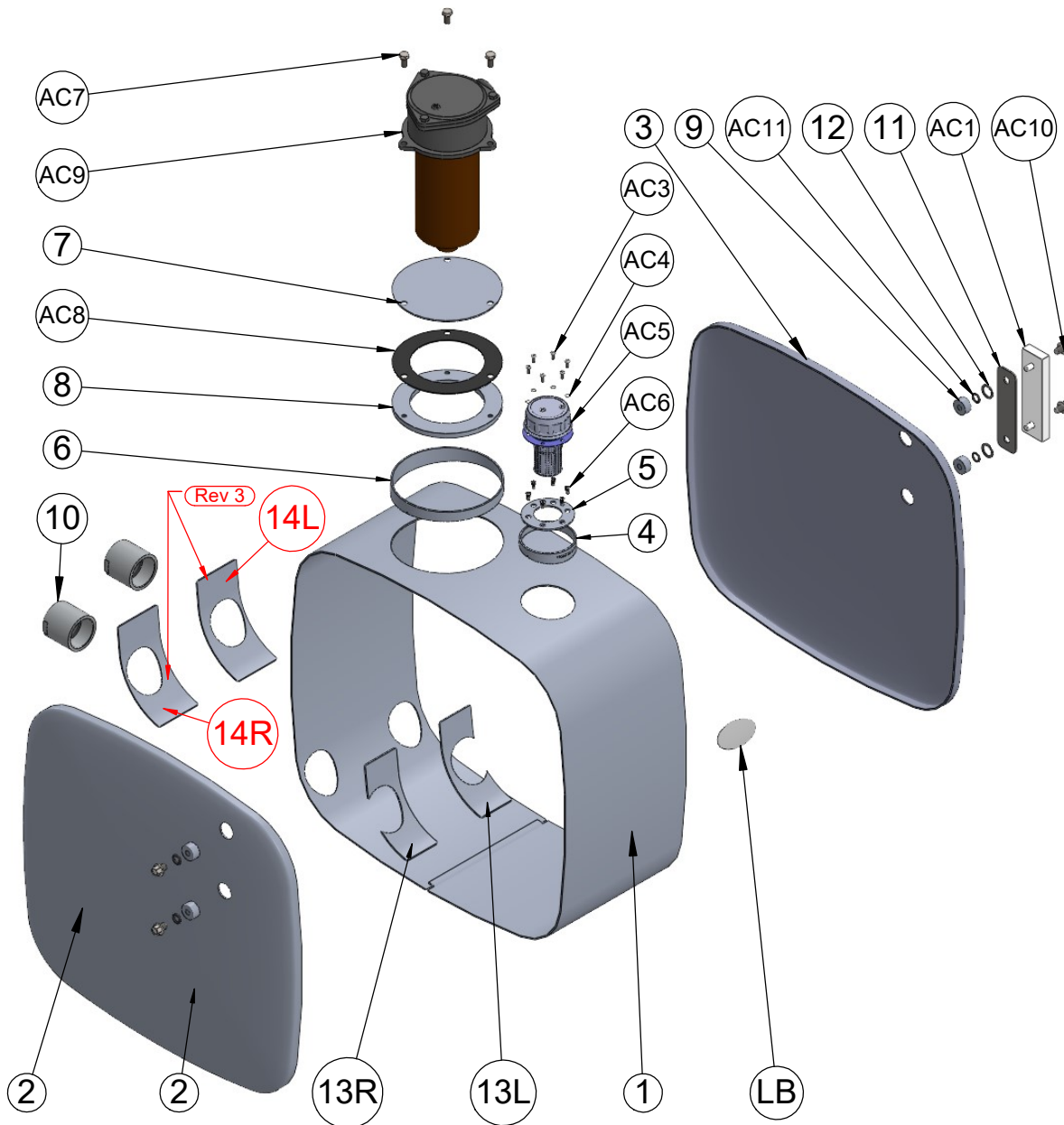
Part #	Code	Description	Material Spec	Size	Qty.	Unit	Total
1	902-040-0050-1	3(+/-0.075)mmT x 1200 x 2400 Aluminum Flat Sheet	A1050-H14	2317x300x3mm	1	Sheet	0.2414
2	902-040-0050-1	3(+/-0.075)mmT x 1200 x 2400 Aluminum Flat Sheet	A1050-H14	702x647x3mm	1	Sheet	0.1577
3	902-040-0050-1	3(+/-0.075)mmT x 1200 x 2400 Aluminum Flat Sheet	A1050-H14	702x647x3mm	1	Sheet	0.1577
4	902-040-0050-1	3(+/-0.075)mmT x 1200 x 2400 Aluminum Flat Sheet	A1050-H14	303x23x3mm	1	Sheet	0.0024
5	902-040-0050-1	3(+/-0.075)mmT x 1200 x 2400 Aluminum Flat Sheet	A1050-H14	227x200x3mm	1	Sheet	0.0158
6	902-040-0050-1	3(+/-0.075)mmT x 1200 x 2400 Aluminum Flat Sheet	A1050-H14	618x33x3mm	1	Sheet	0.0071
7	902-040-0050-1	3(+/-0.075)mmT x 1200 x 2400 Aluminum Flat Sheet	A1050-H14	195x195x3mm	1	Sheet	0.0132
8	902-041-0100-1	10(+/-0.075)mm thk 1200x2400 Aluminum Flat Sheet (A5052-H32)	A5052-H32	195x195x10mm	1	Sheet	0.0132
9	902-090-0100-2	30(+0.5/-0.2)mm dia Aluminum Solid Round Bar Cut to Length	6061 T6	15mm	4	M	0.0600
10	902-090-0130-2	70(+0.5/-0.2)mm dia Aluminum Solid Round Bar Cut to Length (Socket 2" BSPT)	6061-T5	65mm	2	M	0.1300
11	903-041-0050-1	3(+/-0.22)mmT x 1220 x 2440 S/Steel Flat Sheet	SUS304 JIS G4305	172.3x45.3x3mm	1	Sheet	0.0026
12	903-041-0030-1	2(+/-0.17)mmT x 1220 x 2440 S/Steel Flat Sheet	SUS304 JIS G4305	28x28x2mm	2	Sheet	0.0005
13L	902-040-0050-1	3(+/-0.075)mmT x 1200 x 2400 Aluminum Flat Sheet	A1050-H14	205x77.2x3 mm	1	Sheet	0.0000
13R	902-040-0050-1	3(+/-0.075)mmT x 1200 x 2400 Aluminum Flat Sheet	A1050-H14	205x77.3x3 mm	1	Sheet	0.0000
14R	902-040-0050-1	3(+/-0.075)mmT x 1200 x 2400 Aluminum Flat Sheet	A1050-H14	213x99x3 mm	1	Sheet	0.0000
14L	902-040-0050-1	3(+/-0.075)mmT x 1200 x 2400 Aluminum Flat Sheet	A1050-H14	213x99x3 mm	1	Sheet	0.0000

List of Packing

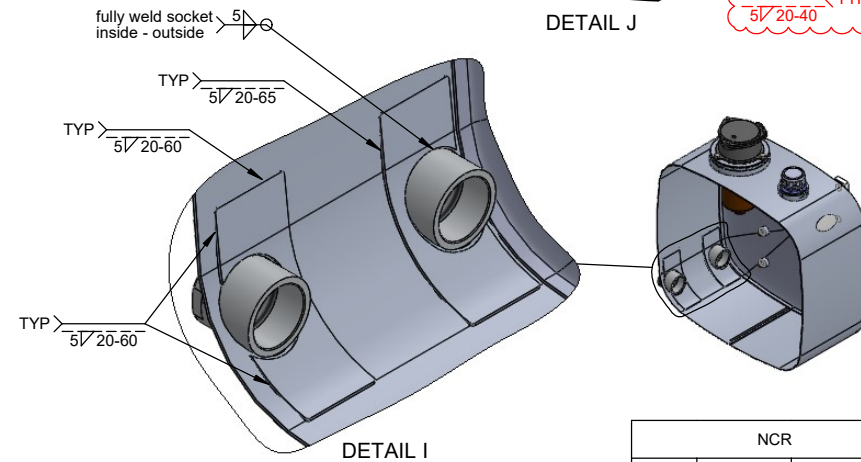
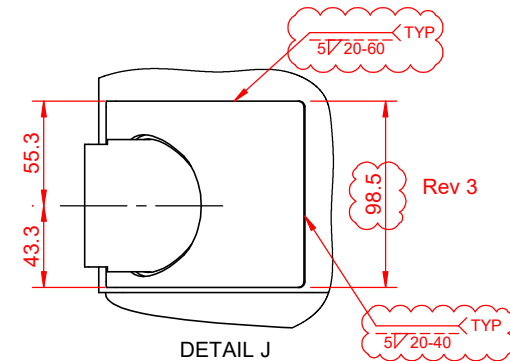
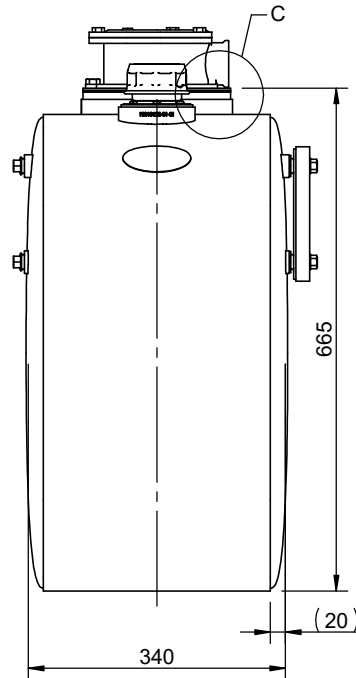
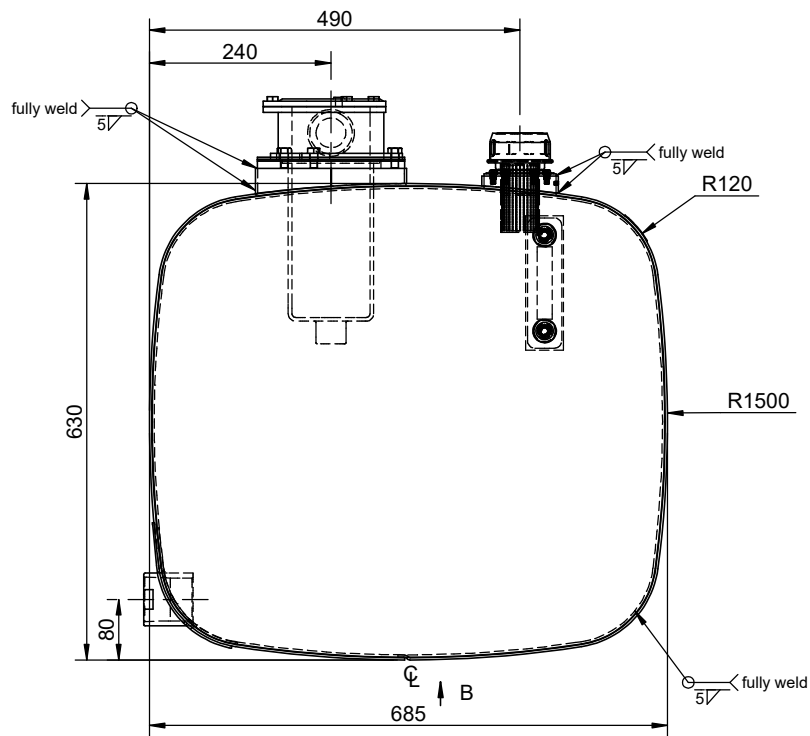
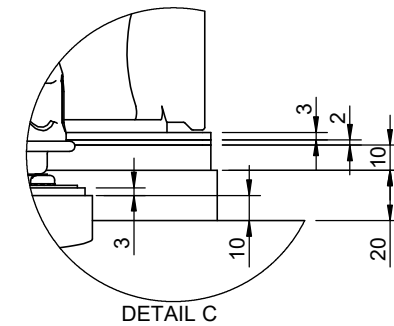
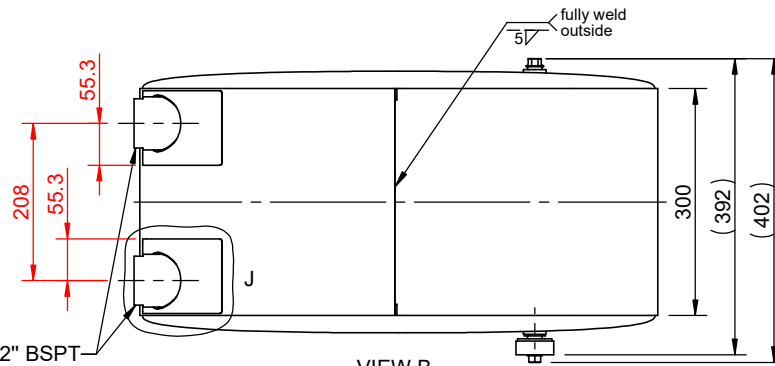
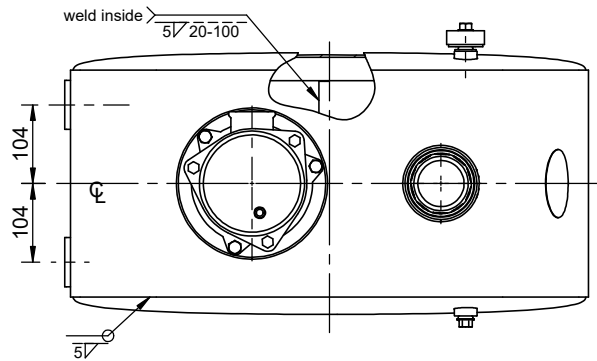
AC1	915-007-0001	LS-5" Black Oil Level indicator With Thermometer	N/A	-	1	Pcs	1
AC3	914-020-0005	M5 x 0.8 x 15mm long Domed Head Bolt	Steel Grade 8.8	-	6	Pcs	6
AC4	914-090-0002	External Tooth Washer Flat M5 (EZP steel)	Steel	-	6	Pcs	6
AC5	915-001-0050	Filter with air breather TOYO-50-PW (P=Plastic, W=Silver by chrome-plating)	plastic / silver	-	1	Pcs	1
AC6	914-351-0002	M5 Ribbed Steel CSK Head Rivet Nut or Insert Nut (S-CM-R Fast-fix Code)	Steel	-	6	Pcs	6
AC7	914-000-0206	Hex Head Bolt M10 x 20mmL x P1.5 - DIN 931	Steel: 8.8	-	3	Pcs	3
AC8	930-001-0015	Rubber Sheet: 2mmT Cut To Size	Rubber	195x195x2mm	1	M2	1
AC9	00-000-0000	Return Filter - OMTF series 17 (Type 1 - A 1-1/4" BSP) (Client Supply)	N/A	-	1	Pcs	1
AC10	914-000-0307	Hex Head Bolt M12 x 30mmL x P1.75 With Flange	Steel: 4.6	-	2	Pcs	2
AC11	924-120-0010	Rubber O Ring : 12mm ID x 20mm OD x 4 dia	Ruber	-	4	Pcs	4
AC12	001-002-2150NZ	Red Flag/Reid&Twiname : Square Oval Hydraulic Oil Tank L Bracket - 125L Tank	-	-	1	Pcs	1
LB	919-100-0050	"RED FLAG Logo with www.retwine.co.nz"-Oval-shaped Label,90mmL x 45mmH	S/Steel 304	-	1	Pcs	1
BOX	920-306-1033	Honeycomb Cardboard Box 385L x 770D x 770H "REDFLAG Logo with www.retwine.co.nz": 340L x 685D x 630H Rectangular oval Hydraulic Oil Tank 125L	Honeycomb	-	1	Pcs	1

Note:

The number of AC10 is reduced to 2 because each set of AC1 comes with 2 AC10 when purchased.



MO:	Batch: 1 of 1	Product Description: Reid&Twiname Square Oval Hidraulic Oil Tank - 125L	3	06-02-2023	As per ECR RTN-0008: Added 2 x Part#14: Reinforcing plate on the outside of the socket"				V2885			
Quantity Batch:		Product Code: 001-002-0500NZR2	PRO REV.	DATE	ALTERATION				AUTH.			
Contract #:		Dwg Description: LIST OF MATERIAL	Selection	>0-6	>6-30	>30-120	>120-400	>400-1000	>1000-2000	>2000-4000	>4000-8000	Angle Tolerance
Contract Ref:		Client: RED FLAG/REID & TWINAME		±0.05	±0.05	±0.1	±0.15	±0.2	±0.3	±0.5	±0.8	±1.5°
Approved By:	Date:	Client Dwg Ref: HTAS125	Client Rev: TBA	±0.2	±0.5	±0.5	±1	±1	±1	±1.5	±3	
Signature By:	Date:	Product Finish: Polished		±0.15	±0.2	±0.5	±0.8	±1.2	±2	±3	±4	
NOTE: All dimensions in mm (unless noted otherwise)					W = 15.68 (Kg)			Sheet 2 of 3		3rd Angle Projection		



**Note:**

- Check 100% flatness at the measuring position.
- Move carefully, avoid collisions, scratches, dents.

NCR		
No	Date	NCR-NUMBER
1	25-5-2021	CNCR-2105005
2	1-6-2021	CNCR-2105006

MO:	Batch: 1 of 1	Product Description: Reid&Twiname Square Oval Hidraulic Oil Tank - 125L	3	06-02-2023	As per ECR RTN-0008: Added 2 x Part#14: Reinforcing plate on the outside of the socket"				V2885			
Quantity Batch:		Product Code: 001-002-0500NZR2	PRO REV.	DATE	ALTERATION				AUTH.			
Contract #:		Dwg Description: <b>DETAIL DRAWING</b>	Selection	>0-6	>6-30	>30-120	>120-400	>400-1000	>1000-2000	>2000-4000	>4000-8000	Angle Tolerance
Contract Ref:		Client: <b>RED FLAG/REID &amp; TWINAME</b>		±0.05	±0.05	±0.1	±0.15	±0.2	±0.3	±0.5	±0.8	±1.5°
Approved By:	Date:	Client Dwg Ref: <b>HTAS125</b>	Client Code: <b>HTAS125</b>	→	±0.2	±0.5	±0.5	±1	±1	±1	±1.5	
Signature By:	Date:	Product Finish: <b>Polished</b>	Client Rev: <b>TBA</b>		±0.15	±0.2	±0.5	±0.8	±1.2	±2	±3	±4
NOTE: All dimensions in mm (unless noted otherwise)					W = 15.68 (Kg)			Sheet 3 of 3		3rd Angle Projection		